

ENFORCER®

Bluetooth® Single-Gang Keypad with Reader



SK-B141-PQ

Additional Information



What's in the Box:

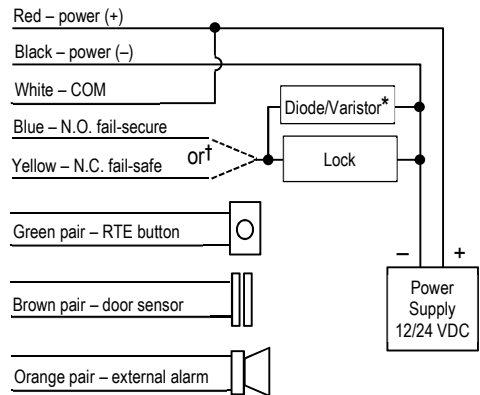
1x SK-B141-PQ ENFORCER *Bluetooth*® Single-Gang Keypad / Reader

4x Mounting screws 4x Plastic wall anchors 12x Wire crimps 1x Diode 1x Varistor
1x Security screw bit 1x Quick Installation/Setup Guide 1x Additional Information

Specifications:

Operating voltage	9-25 VDC	
Current draw	Standby	52mA@12VDC, 30mA@24VDC
	Active (max.)	62mA@12VDC, 35mA@24VDC
Outputs	Form C	2.5A@30VDC (Solid state relay)
	Alarm	50mA@30VDC
Egress input	N.O. Ground	
Door sensor input	N.C. Ground	
Proximity reader	EM 125kHz	
IP Rating	IP65 Weather-resistant	
Enclosure material	Zinc alloy	
Operating humidity	0-95%, non-condensing	
Operating temperature	-4°~122° F (-20°~50° C)	
Dimensions	3 1/8"x4 13/16"x7/8" (79x123x23 mm)	
Weight	1-lb 3.8-oz (560g)	

Sample Wiring Diagram:



IMPORTANT NOTES:

*Because the keypad/reader uses a solid state relay, you must use the enclosed diode for DC powered locks and the varistor (MOV) for AC powered locks and for electromagnetic locks unless your lock has a diode/MOV built in. Failure to use these as directed will void the warranty.

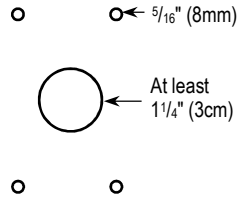
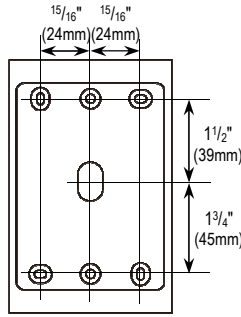
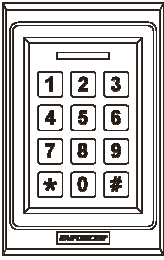
†Use the blue wire for fail-secure applications and the yellow wire for fail-safe applications. Use electrical tape to insulate the end of any unused wire.

SECO-LARM® SLI™



ENFORCER Bluetooth® Single-Gang Keypad with Reader

Installation and Mounting:



Remove Back

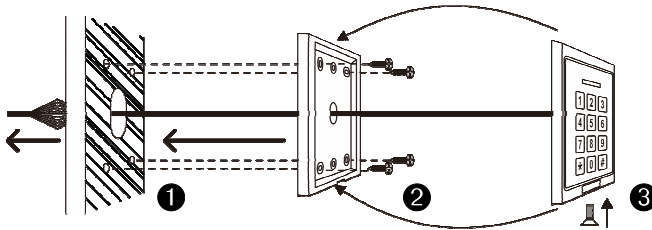
Using the security bit, remove the screw and housing back.

Mark Holes for Drilling

Using the back, mark mounting and wiring holes.

Drill Holes

Drill the five holes. The wiring hole should be at least $\phi 1\frac{1}{4}$ " (ϕ 3cm).



1. Feed Wires into Wall

Push connected wires through the hole in the wall, taking care not to loosen any connectors.

2. Mount Back to Wall

Mount the back to the wall using the supplied screws and wall anchors or other screws.

3. Mount Keypad to Back

Slide the device to engage the tab on the top of the back, and secure with the security screw.

The Bluetooth® word mark and logos are registered trademarks owned by Bluetooth SIG, Inc. and any use of such marks by SECO-LARM is under license. Other trademarks and trade names are those of their respective owners.

IMPORTANT WARNING: For a weather-resistant installation, ensure that the housing back is installed tightly against the wall and properly sealed. Incorrect mounting may lead to exposure to rain or moisture in the enclosure which could cause a dangerous electric shock, damage the device, and void the warranty. Users and installers are responsible for ensuring that this product is properly installed and sealed.

IMPORTANT: Users and installers of this product are responsible for ensuring that the installation and configuration of this product complies with all national, state, and local laws and codes related to locking and egress devices. SECO-LARM will not be held responsible for the use of this product in violation of any current laws or codes.

FCC/IC COMPLIANCE STATEMENT FOR BLUETOOTH MODULE

FCC ID: K7TRB8762

IC ID: 2377ARB762

THIS DEVICE COMPLIES WITH PART 15 OF THE FCC RULES. OPERATION IS SUBJECT TO THE FOLLOWING TWO CONDITIONS: (1) THIS DEVICE MAY NOT CAUSE HARMFUL INTERFERENCE AND (2) THIS DEVICE MUST ACCEPT ANY INTERFERENCE RECEIVED, INCLUDING INTERFERENCE THAT MAY CAUSE UNDESIRABLE OPERATION.

Notice: The changes or modifications not expressly approved by the party responsible for compliance could void the user's authority to operate the equipment.

IMPORTANT NOTE: To comply with the FCC RF exposure compliance requirements, no change to the antenna or the device is permitted. Any change to the antenna or the device could result in the device exceeding the RF exposure requirements and void user's authority to operate the device.

This device complies with Industry Canada licence-exempt RSS standard(s). Operation is subject to the following two conditions: (1) this device may not cause interference, and (2) this device must accept any interference, including interference that may cause undesired operation of the device.

Le présent appareil est conforme aux CNR d'Industrie Canada applicables aux appareils radio exempts de licence. L'exploitation est autorisée aux deux conditions suivantes: (1) l'appareil ne doit pas produire de brouillage, et (2) l'utilisateur de l'appareil doit accepter tout brouillage radioélectrique subi, même si le brouillage est susceptible d'en compromettre le fonctionnement.

WARRANTY: This SECO-LARM product is warranted against defects in material and workmanship while used in normal service for one (1) year from the date of sale to the original customer. SECO-LARM's obligation is limited to the repair or replacement of any defective part if the unit is returned, transportation prepaid, to SECO-LARM. This Warranty is void if damage is caused by or attributed to acts of God, physical or electrical misuse or abuse, neglect, repair or alteration, improper or abnormal usage, or faulty installation, or if for any other reason SECO-LARM determines that such equipment is not operating properly as a result of causes other than defects in material and workmanship. The sole obligation of SECO-LARM and the purchaser's exclusive remedy, shall be limited to the replacement or repair only, at SECO-LARM's option. In no event shall SECO-LARM be liable for any special, collateral, incidental, or consequential personal or property damage of any kind to the purchaser or anyone else.

NOTICE: The SECO-LARM policy is one of continual development and improvement. For that reason, SECO-LARM reserves the right to change specifications without notice. SECO-LARM is also not responsible for misprints. All trademarks are the property of SECO-LARM U.S.A., Inc. or their respective owners. Copyright © 2020 SECO-LARM U.S.A., Inc. All rights reserved.

SECO-LARM® U.S.A., Inc.

16842 Millikan Avenue, Irvine, CA 92606
Phone: (949) 261-2999 | (800) 662-0800

Website: www.seco-larm.com
Email: sales@seco-larm.com



MA_SK-B141-PQ_200819.docx