

ENFORCER®

Wave-To-Open Sensors Manual



SD-927PKC-NEQ



SD-927PKC-NEVQ

The ENFORCER Wave-To-Open Sensors use IR technology to request egress from a protected area or activate a device with the simple wave of a hand. Since no touch is required, this sensor is ideal for use in hospitals, clinics, labs, cleanrooms (to reduce the risk of contamination), schools, factories, or offices. The SD-927PKC-NEVQ adds a manual override button.

Also available with Spanish (SD-927PKC-NSQ, SD-927PKC-NSVQ) or French (SD-927PKC-NFQ, SD-927PKC-NFVQ) faceplates.

Features:

- Dual voltage, 12~24 VAC/VDC
- Range adjustable from 2 $\frac{3}{8}$ "-8" (6~20 cm)
- Stainless steel single-gang plate
- 3A relay, adjustable from 0.5~30 sec, toggle, or as long as hand is near the sensor
- LED illuminated sensor area for easy identification
- Quick connect screw-less terminal block
- Selectable LED colors (turns from red to green or green to red) when activated

SD-927PKC-NEVQ

- Adds manual override button as a backup to the sensor

ENFORCER Wave-To-Open Sensors

Parts List:

1x Wave-To-Open Sensor 2x Mounting screws 3x 6" (15cm) wire connectors* 1x Manual

*For override button, SD-927PKC-NEVQ only

Specifications:

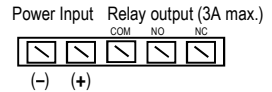
Model		SD-927PKC-NEQ	SD-927PKC-NEVQ
Operating voltage		12~24 VAC/VDC	
Current draw (max.)		120mA@12VDC	
Relay type		Form C dry contact, 3A@24VDC	
Override button	Switching capacity	N/A	3A@24VDC
	Mechanical life	N/A	500,000 cycles
Response time		10ms	
LEDS	Standby	Red*	
	Triggered	Green*	
Output time		Adjustable, 0.5~30 sec., toggle, or as long as sensor is triggered	
Sensing range		Adjustable, 2 ³ / ₈ "~8" (6-20 cm)	
Operating temperature		-4°~131° F (-20°~55° C)	
Weight		3-oz (85g)	3.9-oz (110g)

*Default, reversible by jumper

Installation:

1. Run four wires through the wall to a single-gang back-box.
2. Connect the four wires from the back-box to the quick connect screw-less terminal according to Fig. 1.
3. Screw the plate into the back-box, taking care not to crimp the wires.
4. Remove clear protective film from the sensor before use.

Fig. 1 Connections
(under back cover)



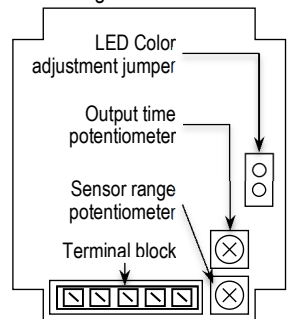
Adjusting the LED Color:

1. The LED color factory default setting is red (standby) and green (triggered).
2. To reverse the LED color visual indicator to green (standby) and red triggered), remove the jumper located at the right side of the terminal block as shown in Fig. 2.

Adjusting the Sensor Range and Output Timer

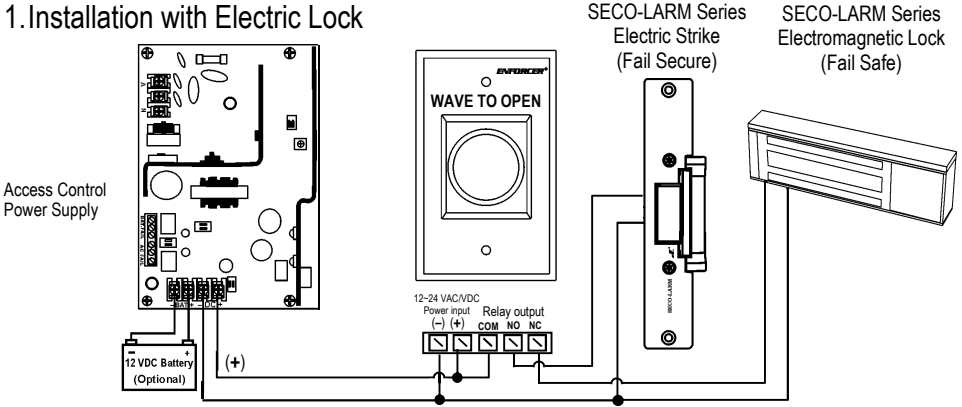
1. To adjust the sensor's range, turn the trimpot counterclockwise (decrease) or clockwise (increase).
2. To adjust the output time, turn the trimpot counterclockwise (decrease) or clockwise (increase). To set to toggle, turn the trimpot all the way counterclockwise.

Fig. 2 Output Time and Sensor Range Potentiometers

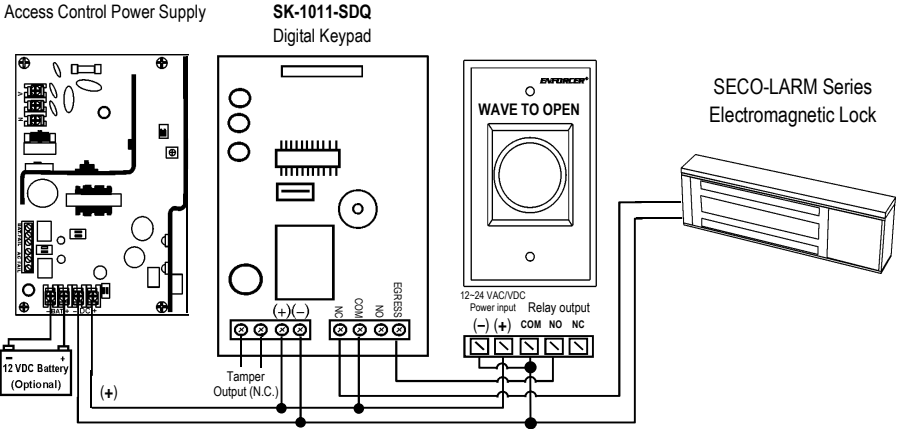


Sample Installations:

1. Installation with Electric Lock

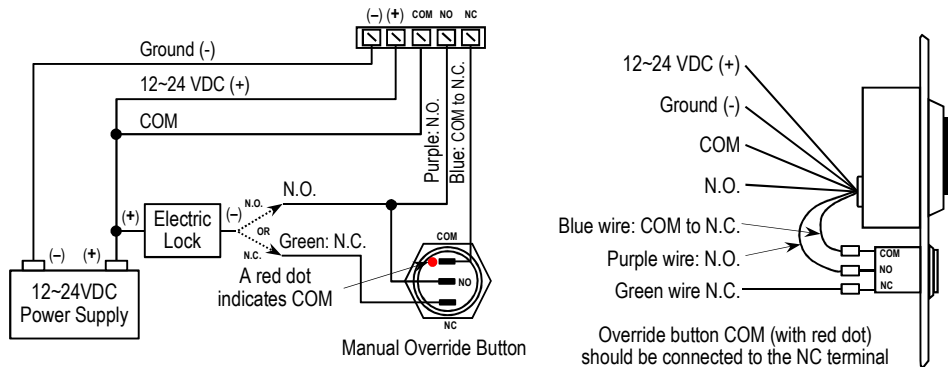


2. Installation with Electromagnetic Lock and Keypad



3. Override Button Wiring (SD-927PKC-NEVQ only)

The manual override button serves as a backup to the sensor



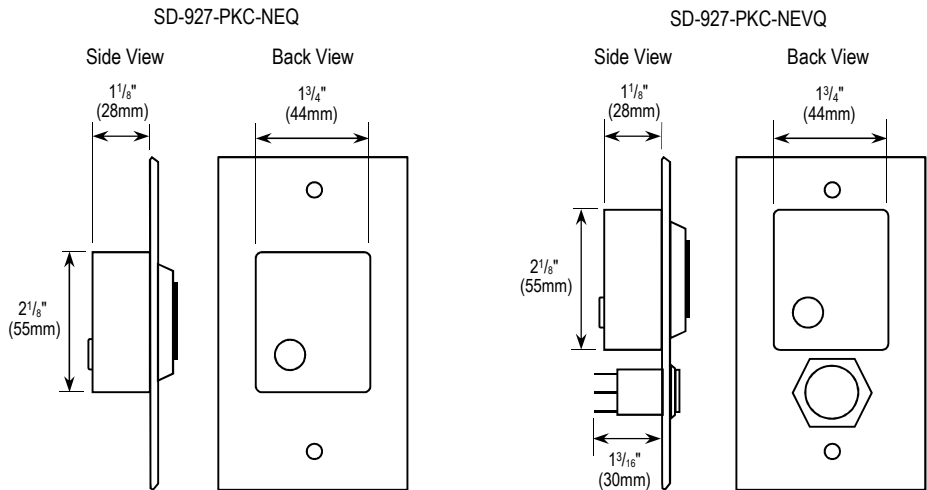
ENFORCER Wave-To-Open Sensors

Care and Cleaning for the SD-927PKC Series Wave-To-Open Sensor:

The SD-927PKC Series is designed for indoor use to match most interiors. The sensor requires special care to ensure reliability and a long operating life.

1. Use a soft, clean cloth for cleaning.
2. Be careful not to spray liquids directly on the unit.
3. When cleaning, spray the cleaning solution onto the cleaning cloth instead of the unit.
4. Be sure to wipe off any excess liquid from the sensor. Wet spots or areas may affect the sensor's performance.

Overview:



IMPORTANT: Users and installers of this product are responsible for ensuring that the installation and configuration of this product complies with all national, state, and local laws and codes related to locking and egress devices. SECO-LARM will not be held responsible for the use of this product in violation of any current laws or codes.

IMPORTANT WARNING: Incorrect mounting which leads to exposure to rain or moisture inside the enclosure could cause a dangerous electric shock, damage the device, and void the warranty.

WARRANTY: This SECO-LARM product is warranted against defects in material and workmanship while used in normal service for one (1) year from the date of sale to the original customer. SECO-LARM's obligation is limited to the repair or replacement of any defective part if the unit is returned, transportation prepaid, to SECO-LARM. This Warranty is void if damage is caused by or attributed to acts of God, physical or electrical misuse or abuse, neglect, repair or alteration, improper or abnormal usage, or faulty installation, or if for any other reason SECO-LARM determines that such equipment is not operating properly as a result of causes other than defects in material and workmanship. The sole obligation of SECO-LARM and the purchaser's exclusive remedy, shall be limited to the replacement or repair only, at SECO-LARM's option. In no event shall SECO-LARM be liable for any special, collateral, incidental, or consequential personal or property damage of any kind to the purchaser or anyone else.

NOTICE: The SECO-LARM policy is one of continual development and improvement. For that reason, SECO-LARM reserves the right to change specifications without notice. SECO-LARM is also not responsible for misprints. All trademarks are the property of SECO-LARM U.S.A., Inc. or their respective owners. Copyright © 2020 SECO-LARM U.S.A., Inc. All rights reserved.

SECO-LARM® U.S.A., Inc.

16842 Millikan Avenue, Irvine, CA 92606
Phone: (949) 261-2999 | (800) 662-0800

Website: www.seco-larm.com
Email: sales@seco-larm.com

 PICPN3

MI_SD-927PKC-NExQ_200616.docx