

Infrared Proximity Sensor

CS-PD535-TAQ Square, LED status indicator

Features:

- No-touch operation reduces the risk of spread of germs, viruses, etc., through cross-contamination
- Adjustable sensor range 2³/₈"-8" (6~20 cm), 3A relay, adjustable trigger duration 0.5~30 seconds or toggle
- LED illuminated sensor area for easy identification
- Selectable LED colors (turns from red to green or green to red) to show if the sensor is activated

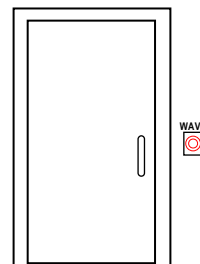


Specifications:

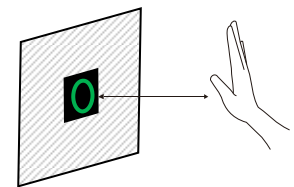
Operating voltage	12~24 VDC	
Current draw (max.)	120mA@12VDC	
Relay type	Form C dry contact, NO/NC/COM, 3A@24VDC	
Connectors	Quick-connect, screwless terminal block	
Response time	10mS	
Output time	Adjustable, 0.5~30s, toggle, or as long as sensor is triggered	
Sensing range	Adjustable, 2 ³ / ₈ "~8" (6~20cm)	
LED Status indicator	Selectable red/green or green/red*	
Operating life	Relay	500,000 cycles
	Sensor	100,000 hours
Case material	ABS Plastic	
Operating temperature	-4°~131° F (-20°~55° C)	
Dimensions	1 ³ / ₄ "x2 ¹ / ₈ "x1 ⁷ / ₁₆ " (44x55x37 mm)	

*Selectable by jumper

Sample Applications:

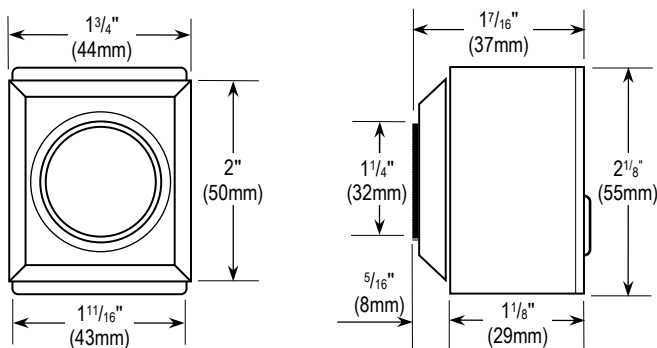


Access control



Replace mechanical switch (machinery, dispensers, medical devices, etc.)

Overview:



LED Indicators (Selectable):



Standby



Activated

Superior Electronics Corporation

No.10, Lane 31, Chongde St., Sinyi District, Taipei City 110, Taiwan

Tel:886-2-2378-6161 • Fax:886-2-2378-6163

E-mail: info@superior-elec.com • Website: www.enforcer.com.tw



Copyright © 2020 Superior Electronics Corporation. All rights reserved.
All trademarks are the property of Superior Electronics Corporation or their respective owners.
Superior Electronics Corporation's policy is one of continual development. For that reason, we reserve the right to change prices and specifications without notice. Superior Electronics Corporation is not responsible for misprints.

ENFORCER® SECO-LARM® CRIMEBUSTER® CBA® SLI®

PL_CS-PD535-TAQ_SEC_200617.docx